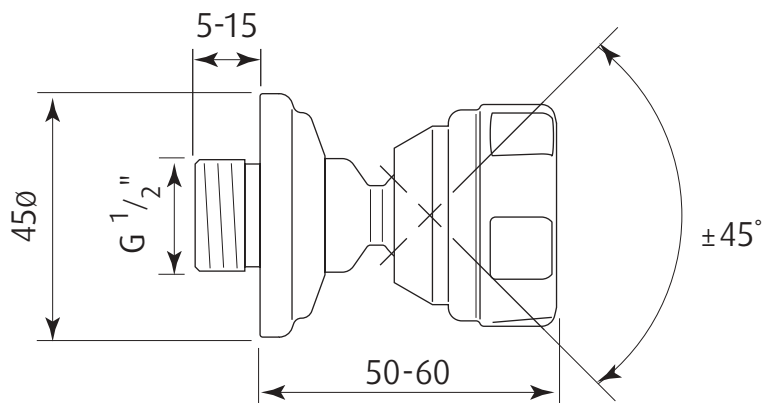


# Specification 5570

## Body Spray



**Packed Weight:** 0.3Kg

**Temp Range:**

Min 1°C / 34°F

Max 85°C / 185°F

**Recommended working pressure:**

Min 0.5 bar / 7psi

Max 5 bar / 75 psi



# Specification 5570

## Body Spray

Where \* Indicated Specify Colour.

