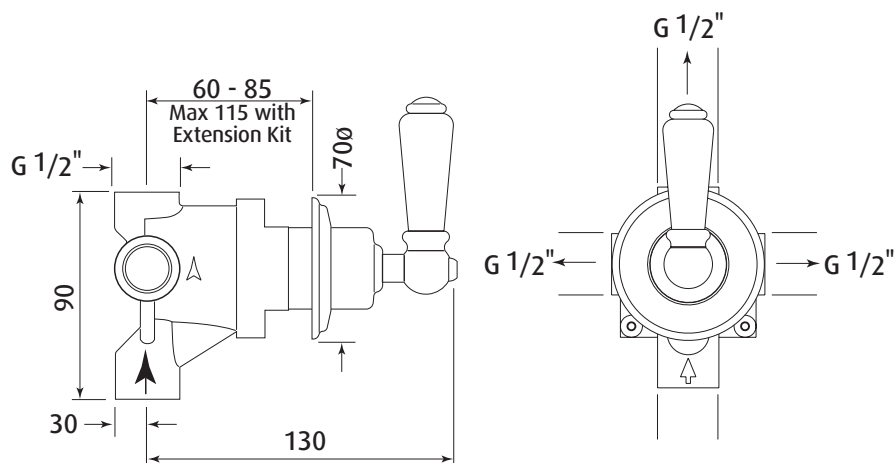


Specification 5562



Four Way Diverter

- Vernier insert for accurate handle alignment ●
- Unique handle construction with integral bearing ring ●



Packed Weight: 1.3Kg

5562R - Rough Kit
5542T - Trim Kit

Temp Range:

Min 1°C / 34°F
Max 85°C / 185°F

Recommended working pressure:

Min 0.5 bar / 7psi
Max 5 bar / 75 psi

Specification 5562



Four Way Diverter

- Vernier insert for accurate handle alignment ●
- Unique handle construction with integral bearing ring ●

Where * Indicated Specify Colour.

