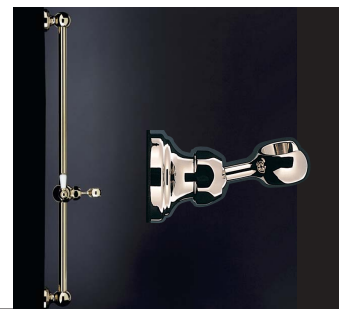
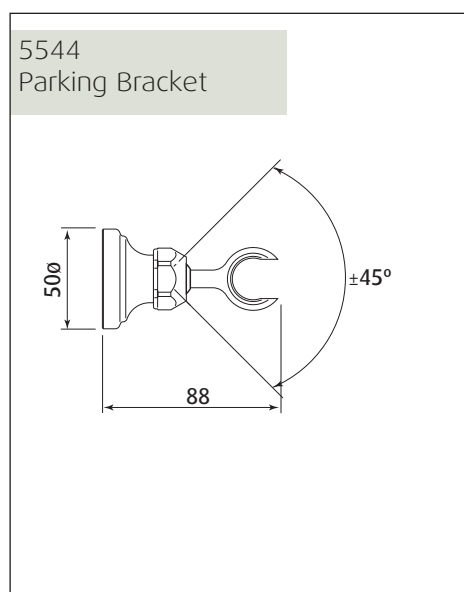
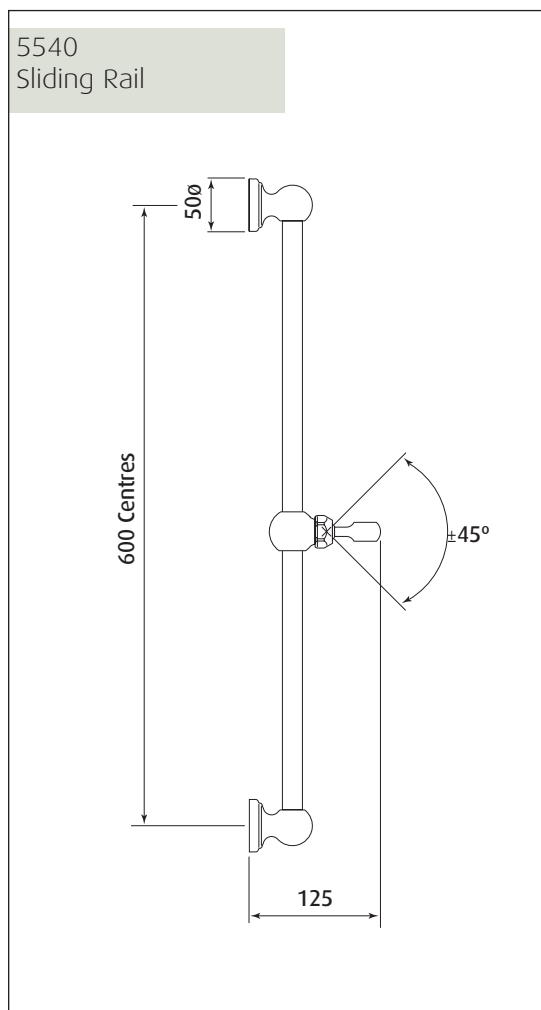


Specification 5540 5544



Sliding Rail & Parking Bracket

- Vernier insert for accurate handle alignment
- Concealed Fixing
-



Approvals:

Packed Weight: 5540 1.8Kg
5544 0.3Kg

Temp Range:

Min 1°C / 34°F
Max 85°C / 185°F

Recommended working pressure:

Min 0.5 bar / 7psi
Max 5 bar / 75 psi

Specification 5540 5544

Sliding Rail & Parking Bracket

Where * Indicated Specify Colour.

