

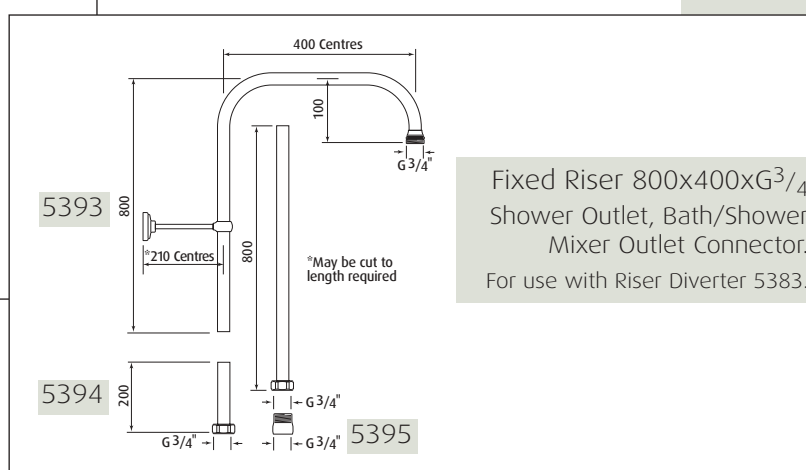
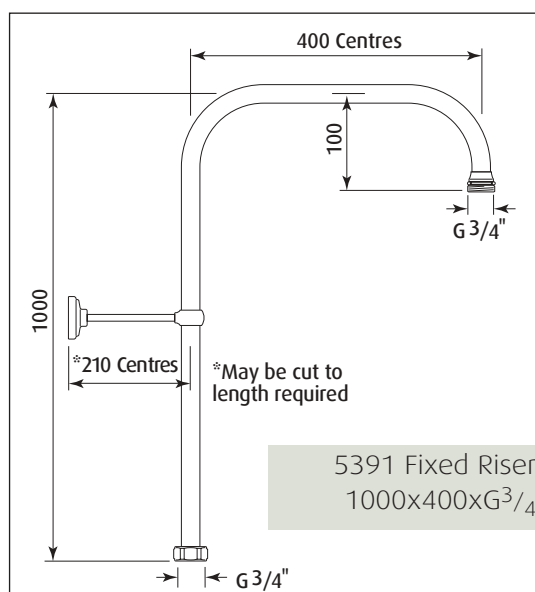
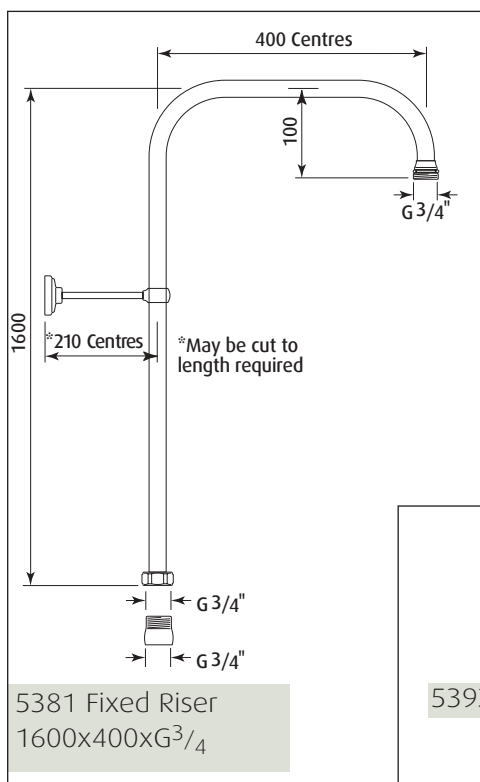
Specification

5381 5391 5393/4/5

Fixed Riser - 1600 x 400 x G³/₄,

1000 x 400 x G³/₄, 800 x 400 x G³/₄, Shower Outlet,
Bath/Shower Mixer Outlet Connector

Where * Indicated Specify Colour.



Packed Weight: 5381 3.2Kg
5391 1.9Kg
5393 1.8Kg
5394 0.2Kg
5395 0.5Kg

Temp Range:
Min 1°C / 34°F
Max 85°C / 185°F

Recommended working pressure:
Min 0.5 bar / 7psi
Max 5 bar / 75 psi

Specification

5381 5391 5393/4/5

Fixed Riser - 1600 x 400 x G³/₄,

1000 x 400 x G³/₄, 800 x 400 x G³/₄, Shower Outlet,
Bath/Shower Mixer Outlet Connector

Where * Indicated Specify Colour.

