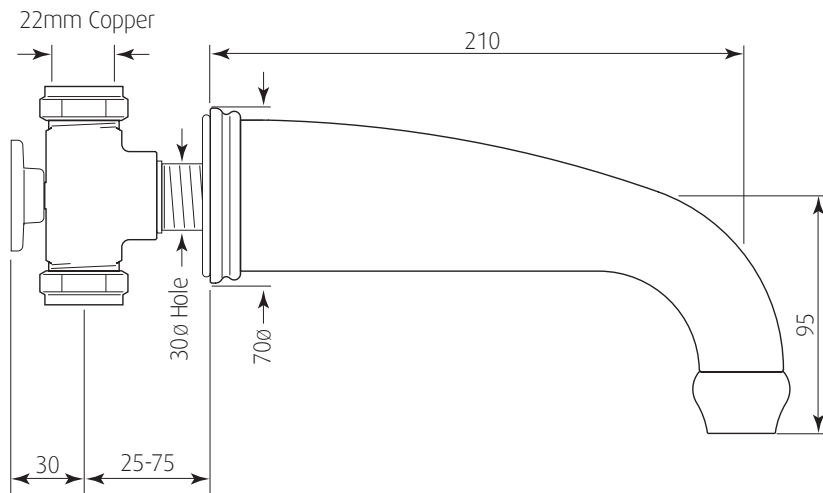


# Specification 3805

## Wall Mounted Bath Spout



**Packed Weight:** 2Kg

**Temp Range:**

Min 1°C / 34°F

Max 85°C / 185°F

**Recommended working pressure:**

Min 0.5 bar / 7psi

Max 5 bar / 75 psi

# Specification 3805

## Wall Mounted Bath Spout

Where \* Indicated Specify Colour.

