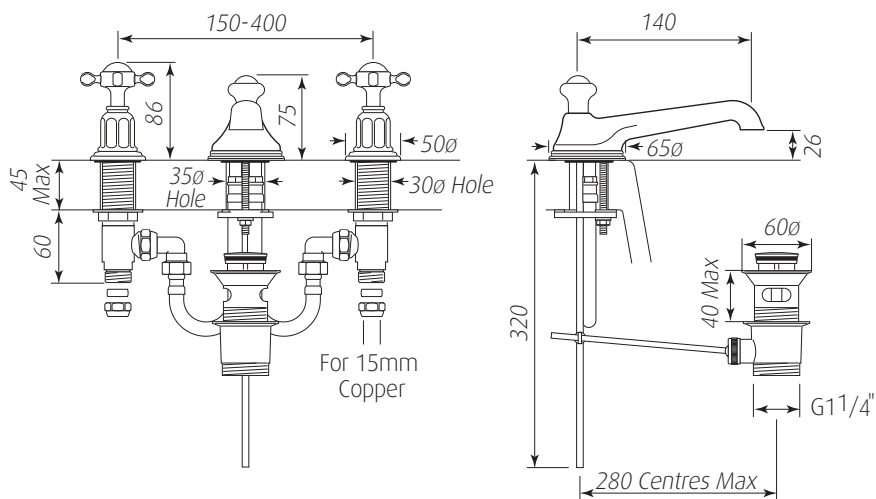


# Specification 3731

## Three Hole Basin Mixer with Low Level Spout and Crosshead Handles

- 1/4 turn ceramic disc flow control ● Vernier insert for accurate handle alignment ●
- Unique handle construction with integral bearing ring ●
- Flexible connectors for easier installation ● Supplied with Pop up Waste ●



**Packed Weight:** 3.6Kg

**Temp Range:**

Min 1°C / 34°F

Max 85°C / 185°F

**Recommended working pressure:**

Min 0.5 bar / 7psi

Max 5 bar / 75 psi



# Specification 3731

## Three Hole Basin Mixer with Low Level Spout and Crosshead Handles

- 1/4 turn ceramic disc flow control ● Vernier insert for accurate handle alignment ●
- Unique handle construction with integral bearing ring ●
- Flexible connectors for easier installation ● Supplied with Pop up Waste ●

Where \* Indicated Specify Colour.

