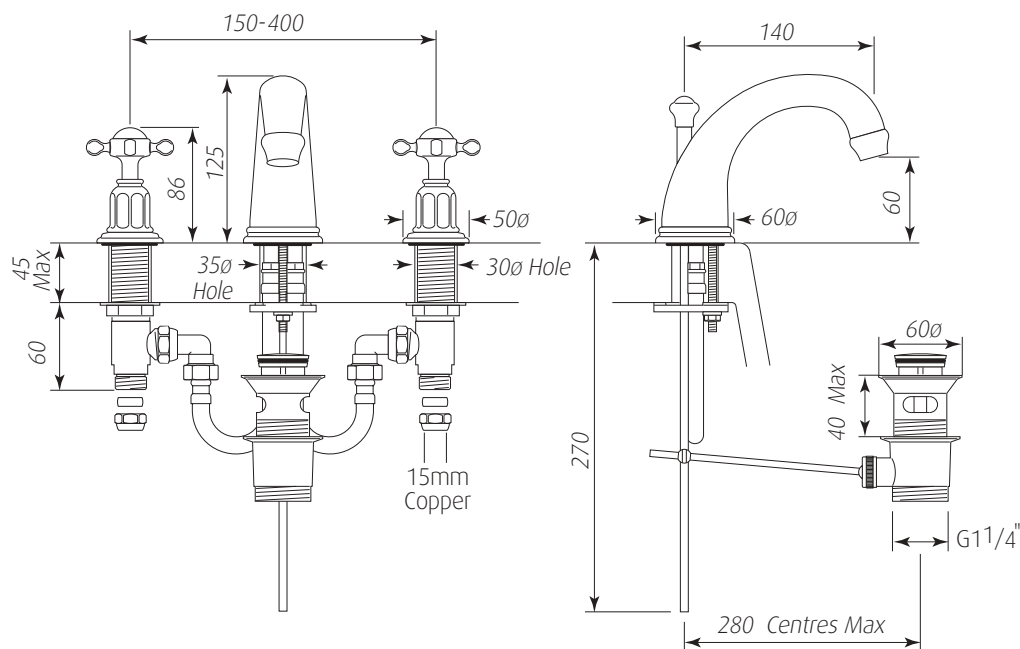


# Specification 3701



## Three Hole Basin Mixer with High Neck Spout and Crosshead Handles

- 1/4 turn ceramic disc flow control ● Vernier insert for accurate handle alignment ●
- Unique handle construction with integral bearing ring ●
- Flexible connectors for easier installation ● Supplied with Pop up Waste ●



**Packed Weight:** 3.8Kg

### Temp Range:

Min 1°C / 34°F

Max 85°C / 185°F

### Recommended working pressure:

Min 0.5 bar / 7psi

Max 5 bar / 75 psi

# Specification 3701

## Three Hole Basin Mixer with High Neck Spout and Crosshead Handles

- 1/4 turn ceramic disc flow control ● Vernier insert for accurate handle alignment ●
- Unique handle construction with integral bearing ring ●
- Flexible connectors for easier installation ● Supplied with Pop up Waste ●

Where \* Indicated Specify Colour.

