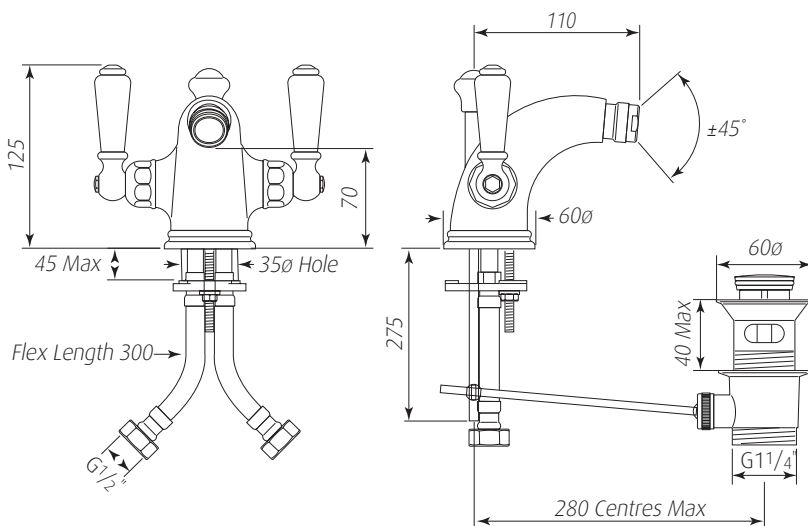


Specification 3685



Monobloc Bidet Mixer with Lever Handles

- 1/4 turn ceramic disc flow control ● Vernier insert for accurate handle alignment ●
- Unique handle construction with integral bearing ring ●
- Flexible connectors for easier installation ● Supplied with Pop up Waste ●



Packed Weight: 2.9Kg

Temp Range:

Min 1°C / 34°F

Max 85°C / 185°F

Recommended working pressure:

Min 0.5 bar / 7psi

Max 5 bar / 75 psi

Specification 3685



Monobloc Bidet Mixer with Lever Handles

- 1/4 turn ceramic disc flow control ● Vernier insert for accurate handle alignment ●
- Unique handle construction with integral bearing ring ●
- Flexible connectors for easier installation ● Supplied with Pop up Waste ●

Where * Indicated Specify Colour.

