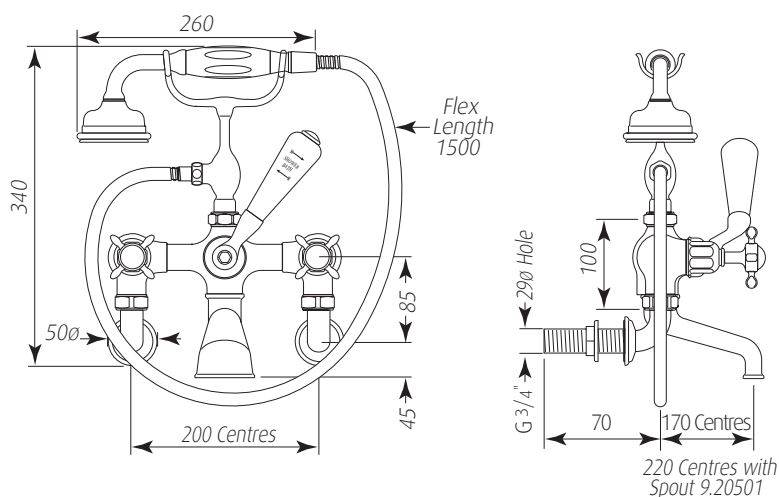


Specification 3511/1



Bath/Shower Mixer with Handshower & Cradle, Wall Unions and Crosshead Handles

- 1/4 turn ceramic disc flow control ● Vernier insert for accurate handle alignment ●
- Unique handle construction with integral bearing ring ●



Packed Weight: 6.3Kg

Temp Range:

Min 1°C / 34°F

Max 85°C / 185°F

Recommended working pressure:

Min 0.5 bar / 7psi

Max 5 bar / 75 psi

Specification 3511/1



Bath/Shower Mixer with Handshower & Cradle, Wall Unions and Crosshead Handles

- 1/4 turn ceramic disc flow control ● Vernier insert for accurate handle alignment ●
- Unique handle construction with integral bearing ring ●

Where * Indicated Specify Colour.

