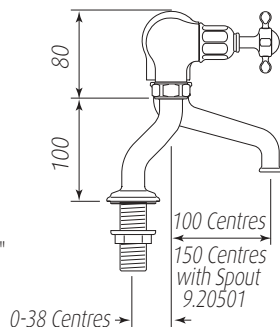
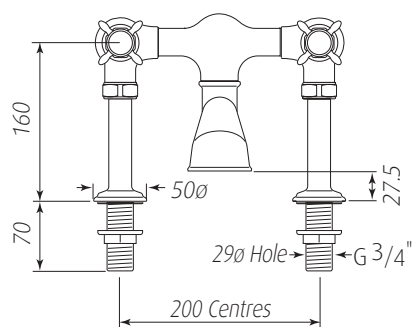


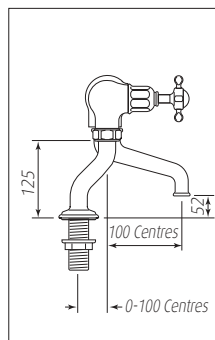
Specification 3506

Bath Filler with Pillar Unions and Crosshead Handles

- 1/4 turn ceramic disc flow control ● Vernier insert for accurate handle alignment ●
- Unique handle construction with integral bearing ring ●



Dimensions when using
Extended Unions 6386.



Packed Weight: 4.2Kg

Temp Range:

Min 1°C / 34°F

Max 85°C / 185°F

Recommended working pressure:

Min 0.5 bar / 7psi

Max 5 bar / 75 psi



Specification 3506

Bath Filler with Pillar Unions and Crosshead Handles

- 1/4 turn ceramic disc flow control ● Vernier insert for accurate handle alignment ●
- Unique handle construction with integral bearing ring ●

Where * Indicated Specify Colour.

