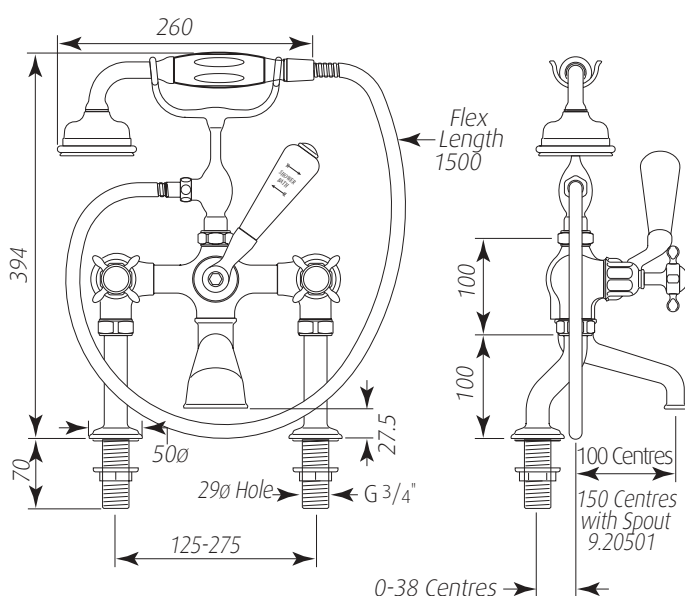


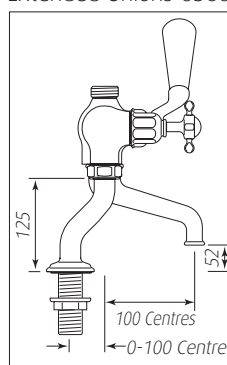
# Specification 3501/1

## Bath/Shower Mixer with Handshower & Cradle, Pillar Unions and Crosshead Handles

- 1/4 turn ceramic disc flow control ● Vernier insert for accurate handle alignment ●
- Unique handle construction with integral bearing ring ●



Dimensions when using  
Extended Unions 6386.



**Packed Weight:** 6.3Kg

### Temp Range:

Min 1°C / 34°F

Max 85°C / 185°F

### Recommended working pressure:

Min 0.5 bar / 7psi

Max 5 bar / 75 psi



# Specification 3501/1



## Bath/Shower Mixer with Handshower & Cradle, Pillar Unions and Crosshead Handles

- 1/4 turn ceramic disc flow control ● Vernier insert for accurate handle alignment ●
- Unique handle construction with integral bearing ring ●

Where \* Indicated Specify Colour.

