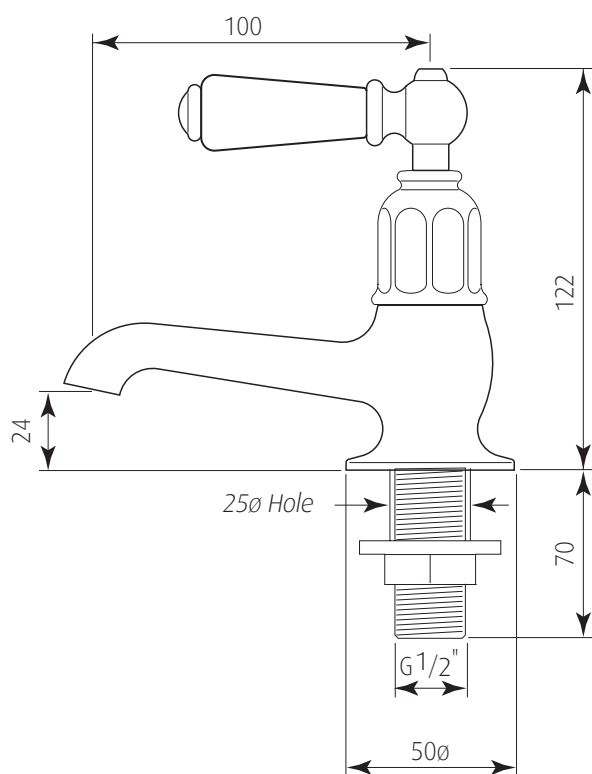


# Specification 3475

## Pair Basin Taps with Lever Handles

- 1/4 turn ceramic disc flow control ● Vernier insert for accurate handle alignment ●
- Unique handle construction with integral bearing ring ●



**Packed Weight:** 1.7Kg

### Temp Range:

Min 1°C / 34°F

Max 85°C / 185°F

### Recommended working pressure:

Min 0.5 bar / 7psi

Max 5 bar / 75 psi



# Specification 3475

## Pair Basin Taps with Lever Handles

- 1/4 turn ceramic disc flow control ● Vernier insert for accurate handle alignment ●
- Unique handle construction with integral bearing ring ●

Where \* Indicated Specify Colour.

