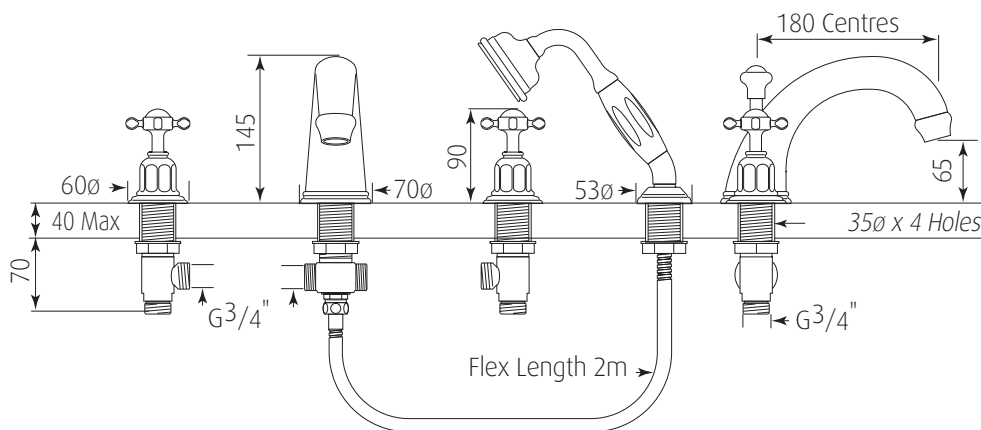


# Specification 3246

## 7" Four Hole Bath Set with Crosshead Handles.

- 1/4 turn ceramic disc flow control ● Vernier insert for accurate handle alignment ●
- Unique handle construction with integral bearing ring ●



**Packed Weight:** 5.8Kg

**Temp Range:**

Min 1°C / 34°F

Max 85°C / 185°F

**Recommended working pressure:**

Min 0.5 bar / 7psi

Max 5 bar / 75 psi

# Specification 3246



## 7" Four Hole Bath Set with Crosshead Handles.

- 1/4 turn ceramic disc flow control ● Vernier insert for accurate handle alignment ●
- Unique handle construction with integral bearing ring ●

Where \* Indicated Specify Colour.

